

## Ball valve 108

- Female thread 1/4" - 1"
- Full flow valve
- Double stem gaskets



### Description

Ball valve.

### Construction

Ball valve in nickel-plated brass with full flow (bore), gaskets in PTFE and FPM. Connection female thread 1/4" - 2". T-handle in aluminium.

### Marking

DN, PN and company logotype.

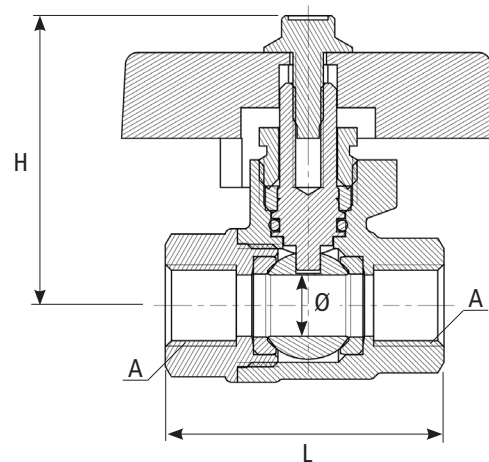
### Maintenance

The ball valve must be operated periodically, two to three times a year.

### Technical data

Body	Nickel-plated brass CW617N
Ball seal	PTFE
Stem gaskets	PTFE and FPM

Maximum working pressure: 40 bar  
 Maximum working temperature: +100°C  
 Minimum working temperature: -10°C



Item number	Description	Connection thread A	Length L	Centrum height H	Bore Ø	Weight (kg)
0410808000	Ball valve 108-8, 1/4"F, T-handle	1/4"F	45,5	47,5	10	0,19
0410810000	Ball valve 108-10, 3/8"F, T-handle	3/8"F	45,5	47,5	10	0,16
0410815000	Ball valve 108-15, 1/2"F, T-handle	1/2"F	55,5	50	15	0,22
0410820000	Ball valve 108-20, 3/4"F, T-handle	3/4"F	66	54	20	0,34
0410825000	Ball valve 108-25, 1"F, T-handle	1"F	75	63	25	0,49

All dimensions in millimetres

Subject to technical changes and corrections without notice